

The MB-36 is used to mount a three-unit size component that is 420 mm width in a component rack.

---



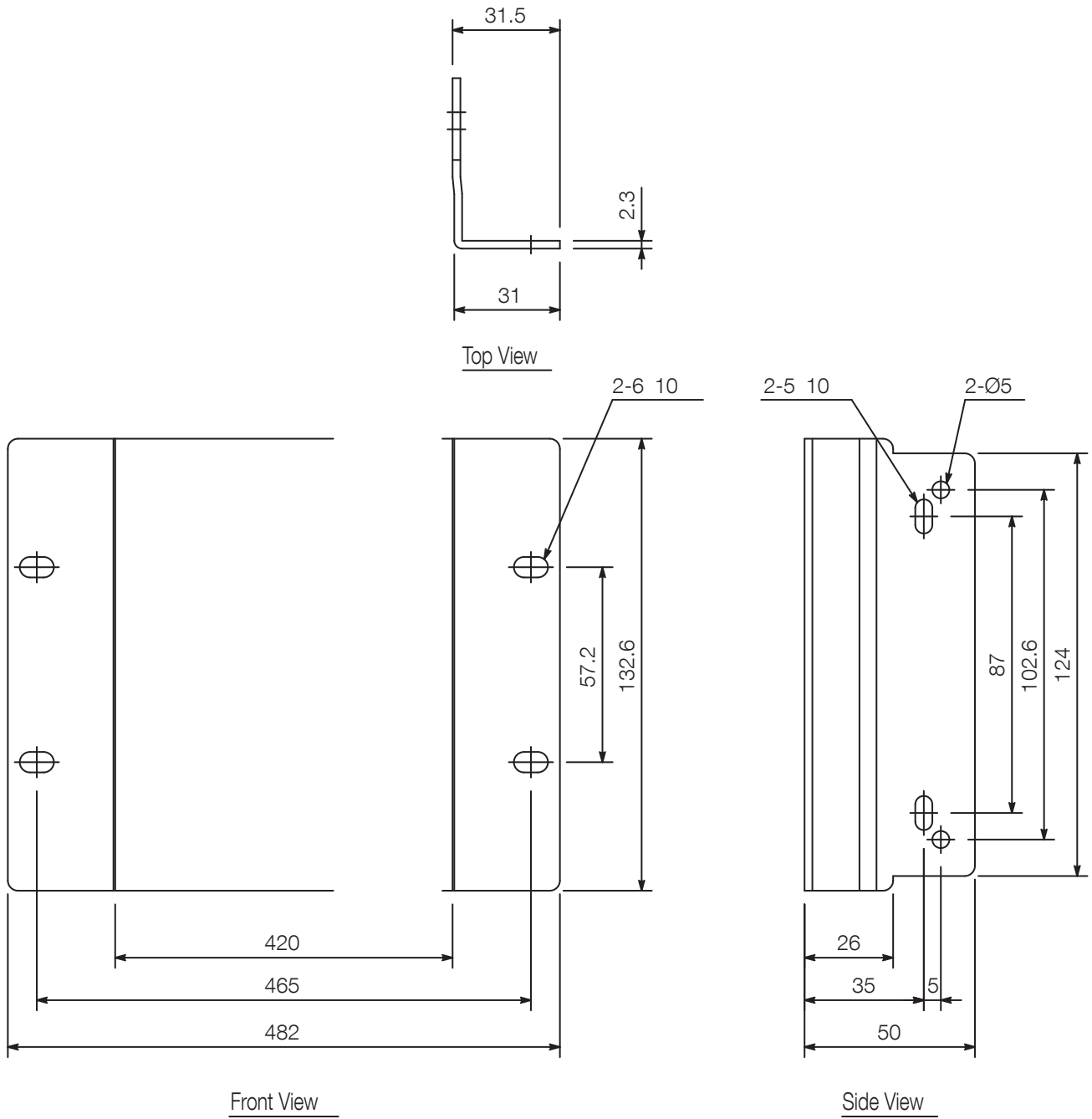
Article number:MB-36

---

#### Specifications

Finish	Steel plate, dark grey,
--------	-------------------------

Appearance



UNIT:mm SCALE:1/2